



HCH-550-1C

Cable hanger for HELIFLEX® Air-dielectric coaxial cable

Hangers for the installation of HELIFLEX® cables on different supporting profiles.
Cable Clamp and Extended Counterbed hot-galvanized steel
Screw: stainless steel.



Technical features

GENERAL SPECIFICATIONS

Product Type	Hanger
Hanger Type	Anchor bar 18-22mm (0.71-0.87")
Cable Type	Air Dielectric

TESTING AND ENVIRONMENTAL

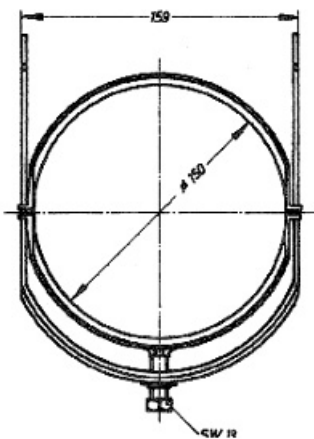
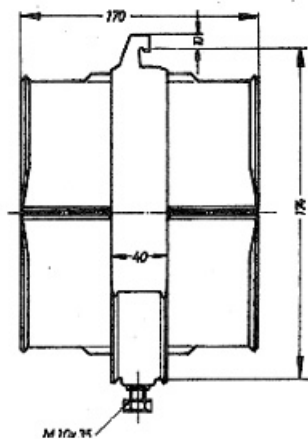
Operation Temperature	-50°C to 85°C (-58°F to 185°F)
Storage Temperature	-50°C to 85°C (-58°F to 185°F)

MECHANICAL SPECIFICATIONS

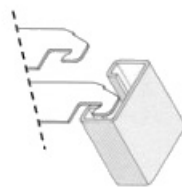
Cable Size	5-1/2
Material	Cable Clamp : hot-dip galvanized Extended Counterbed : hot-dip galvanized Screw: Stainless steel
Recommended / Maximum Clamp Spacing	1 / 2 (3.3 / 6.6)

PACKAGING INFORMATION

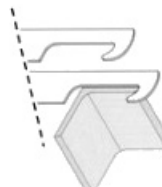
Package Quantity	1
------------------	---



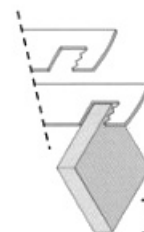
HCH Clamps available for different types of interfaces:



Type C
For anchor bar
(18-22mm slot)



Type L
For angle iron
(in different sizes)

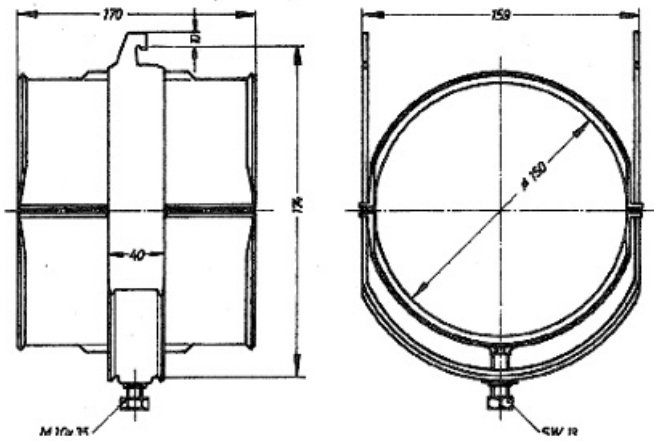


Type R
For flat iron
(6 – 12 mm)



HCH-550-1C

Cable hanger for HELIFLEX[®] Air-dielectric coaxial cable



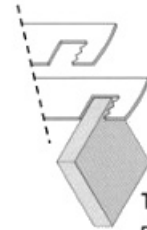
HCH Clamps available for different types of interfaces:



Type C
For anchor bar
(18-22mm slot)



Type L
For angle iron
(in different sizes)



Type R
For flat iron
(6 - 12 mm)

[External Document Links](#)

[Notes](#)